

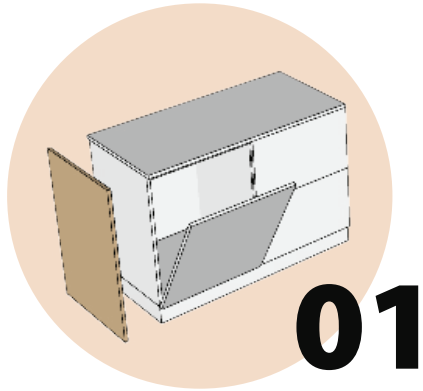


WORLD CLASS LAMINATE

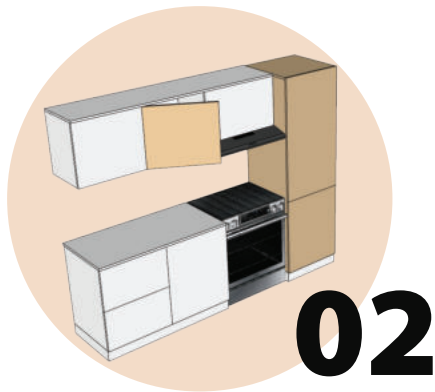
KITCHEN



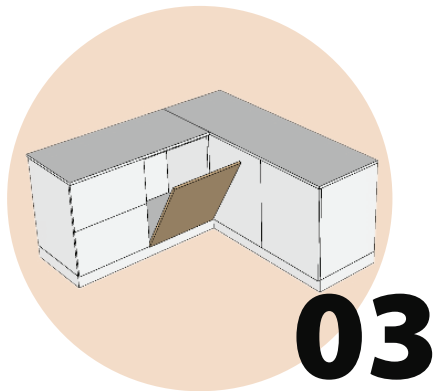
DESIGNER'S NOTES



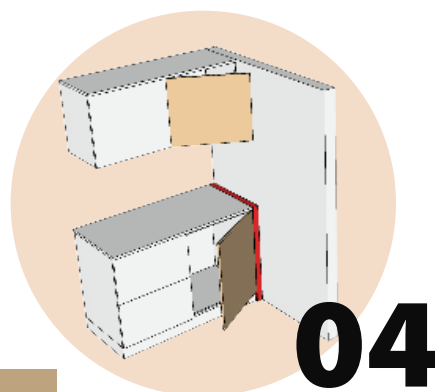
It is necessary to use side panels when basic electrical household appliances is used as end units.



Avoid positioning cooking hobs immediately next to tall units. Take note also the positioning of wall units next to a hood position it in opposite side of the hood to avoid contact between the door and the hood



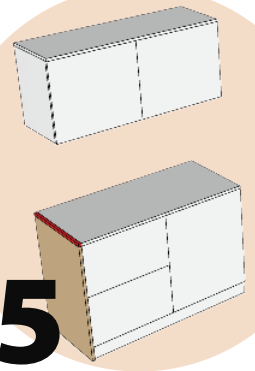
Avoid positioning dishwashers, ovens and any drawer units in a corner next to a positioned unit as it will be only a hindrance in opening the latter unit.



Leave at least 5 cm gap between the door and the wall because doors need to be opened more than 90° or at least position it opening opposite to the wall.

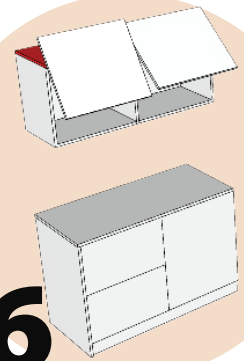
When using base side panel the counter top must be ordered longer, as thick of the used side panels.

05



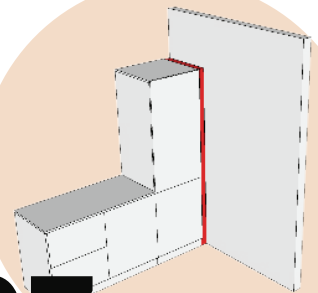
When using wall units with lift up door mechanism, leave at least 19 cm gap over the top and 25 cm on the back of the unit for the mechanism to function properly. Also if wall unit top panels are positioned over the top of the unit they must not cover the top edge of the door for the mechanism to properly function

06



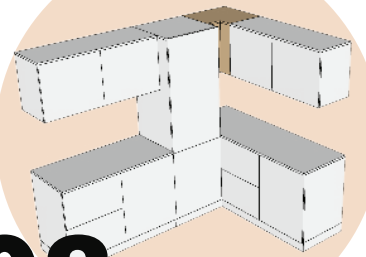
When positioning a free standing refrigerator next to a wall always leave an adequate space from the wall (approximately 10 cm) so the door can fully open or position the door opposite of the wall.

07



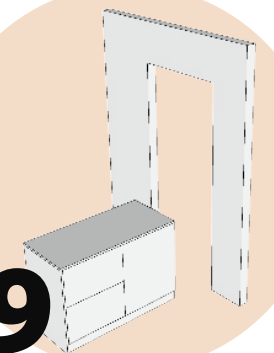
Avoid positioning corner wall unit next to deeper corner tall unit or hoods as it can not be fully opened

08



Before ordering the units check the dimensions if it is possible to move large units inside of the house of the client. If not order the units unassembled.

09

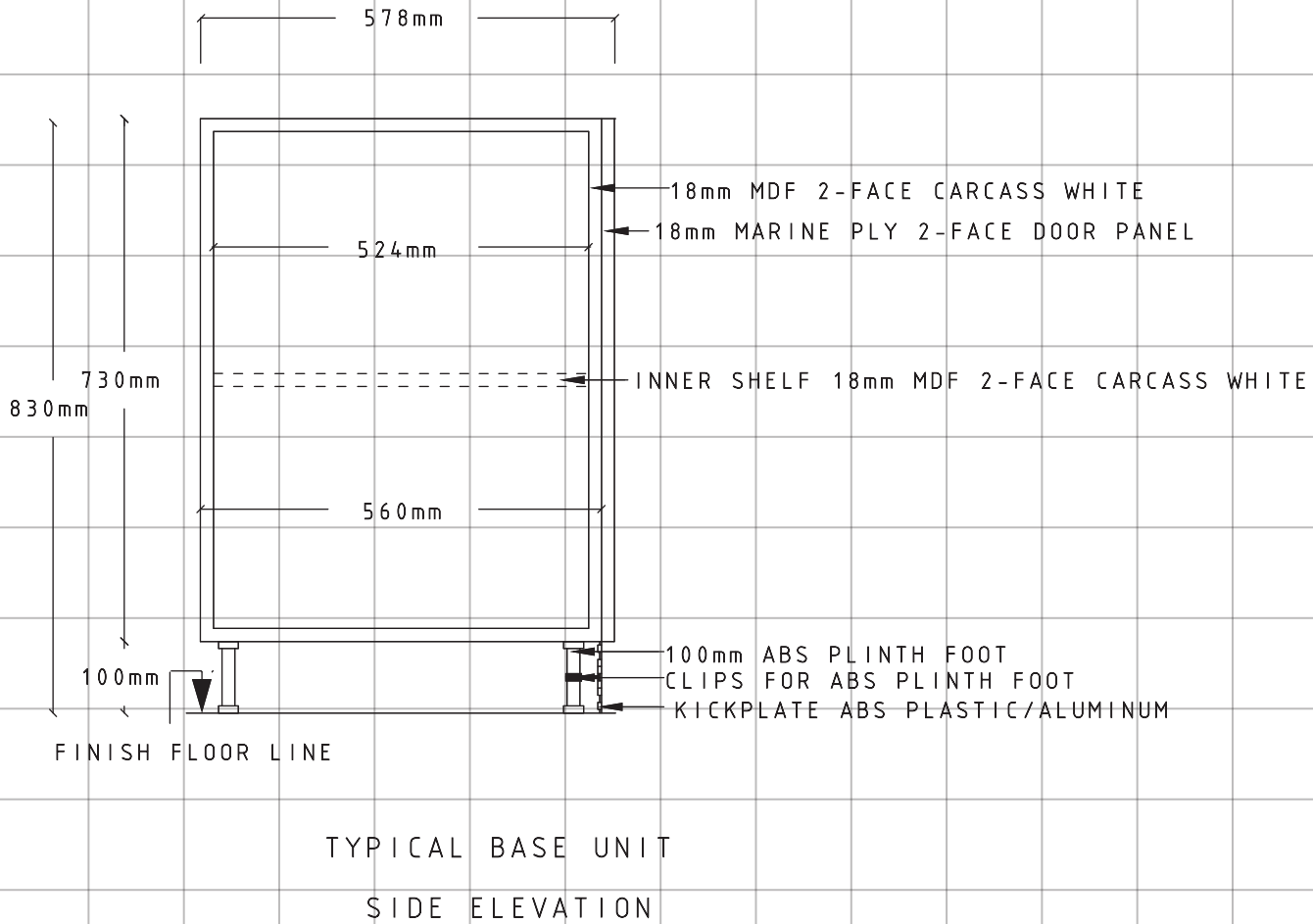
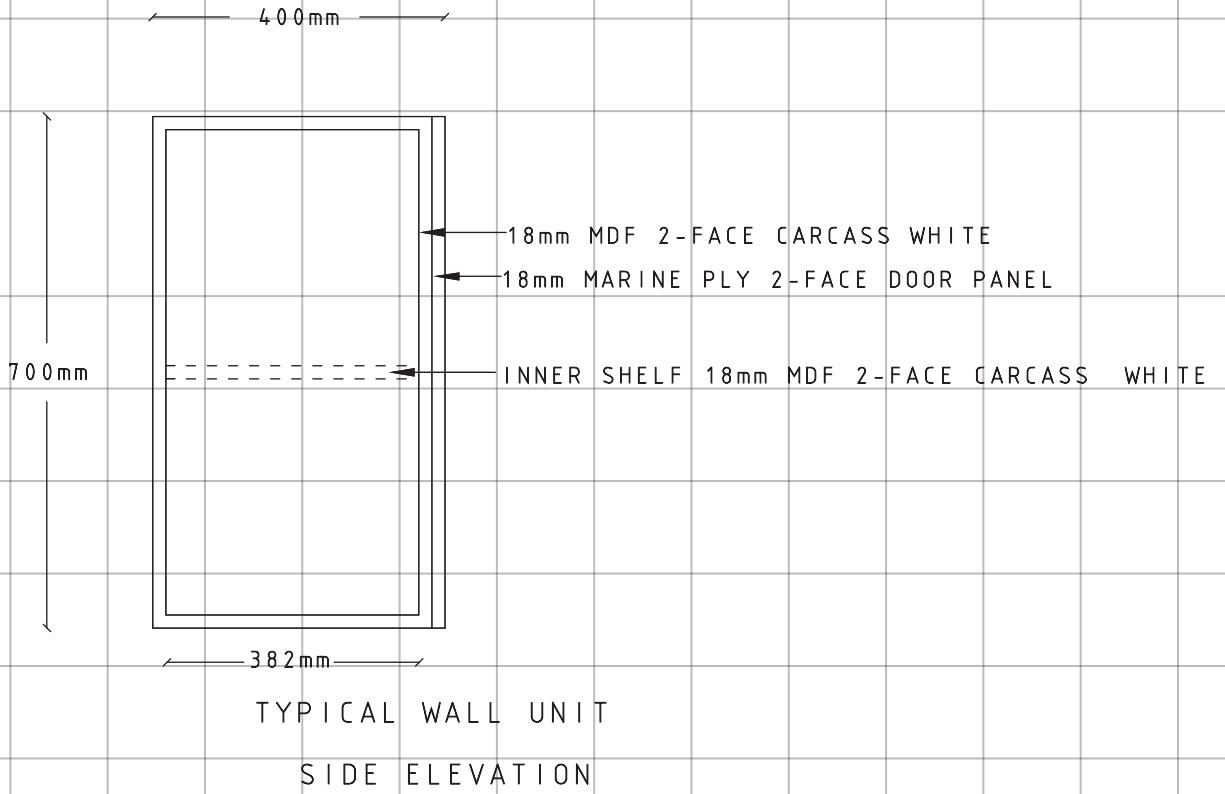




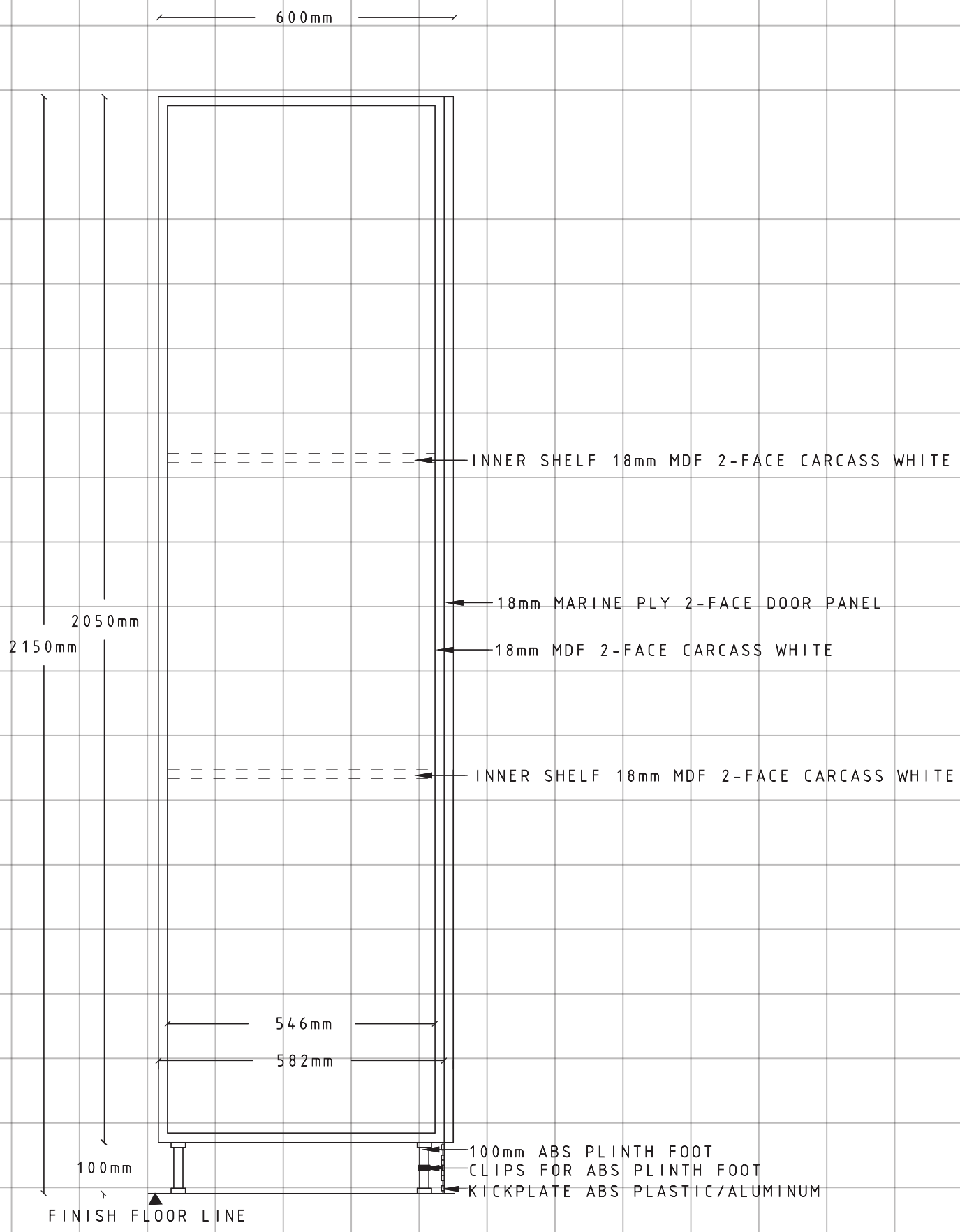
- 1** Tall unit with multiple interior organizer combinations
- 2** Flexible extendable and soft closing drawers to maximize space
- 3** Storage drawers with several accessories options
- 4** Corner base cabinet pull-out accessories
- 5** Extra shelf options with inserts for glasses, bowls and jars
- 6** Base cabinets combinations with a variety of frames, lids and bins
- 7** Knife and utensil accessories
- 8** Hidden inner drawer accessories to utilize space
- 9** Add-on sides for drawers to prevent items falling out when drawers are opened



TYPICAL SECTIONS



TYPICAL SECTIONS



TYPICAL TALL UNIT
SIDE ELEVATION

SERVICES



MEASURE

Accuracy and details matter to us. Our team will visit your home and help you measure the space.



KITCHEN PLANNING

Your Dream Kitchen is within your reach. Our design team helps you in planning your space. Everything carefully curated for you and your lifestyle.



DELIVERY

Once you are happy with the design we can help you bring it right in front of your door steps.



ASSEMBLY AND INSTALLATION

Accurate assembly and installations of the modules can add years to the life of your kitchen. We carefully check your kitchen from start to finish.



OAK GRAIN

A rough-sawn wood grain showing a restrained plank with a rustic structure and playfully added interesting color

ELM MONFORT

Arrangement of naturalness with a high-contrast play of colours. Carefully sanded and waxed while the pores were slightly brushed



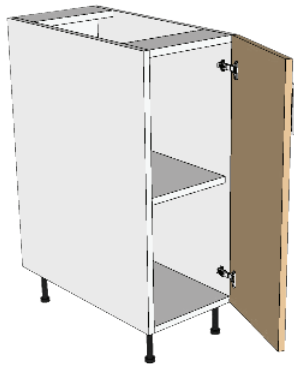
BLUE COAST

Elegantly arranged with its simple angled lines intricately added with a bit of cool color touch

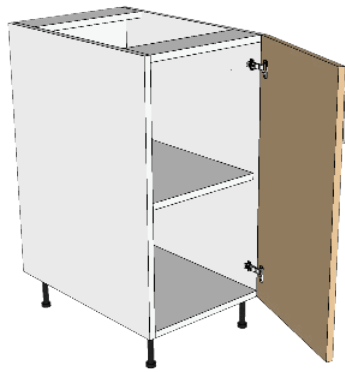
WINTER IVORY WOOD

Natural materials, clean lines and a minimalist aesthetic. Softer and warmer edge as the design riles against the bitter climate of winters.

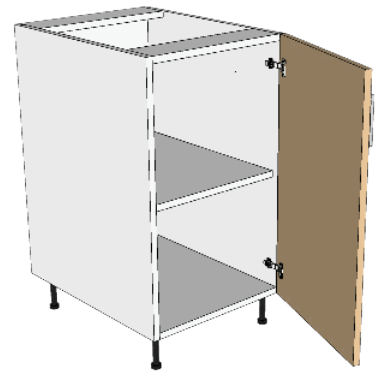




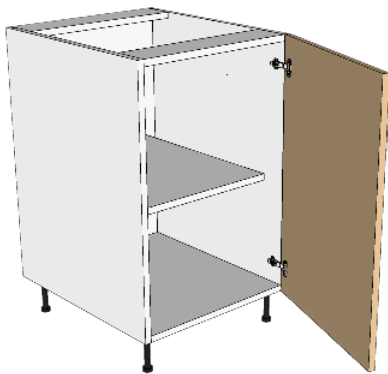
H = 830 MM
D = 578 MM
W = 300 MM



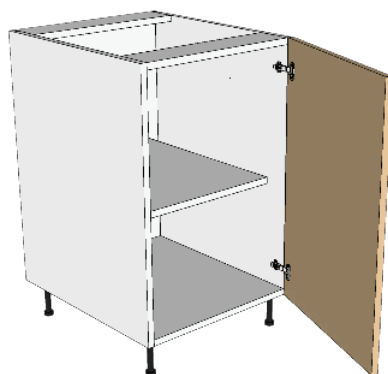
H = 830 MM
D = 578 MM
W = 400 MM



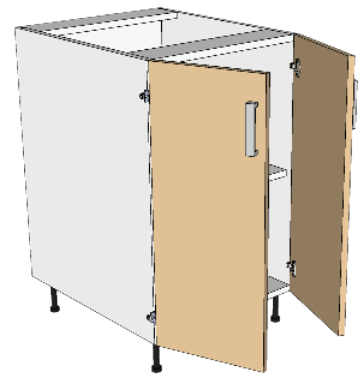
H = 830 MM
D = 578 MM
W = 450 MM



H = 830 MM
D = 578 MM
W = 500 MM



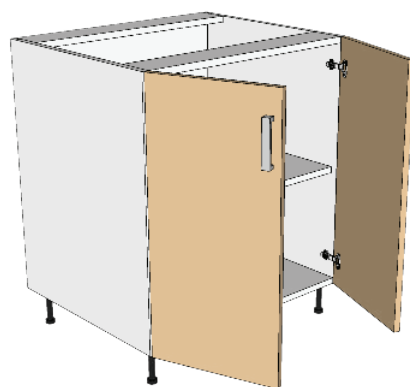
H = 830 MM
D = 578 MM
W = 600 MM



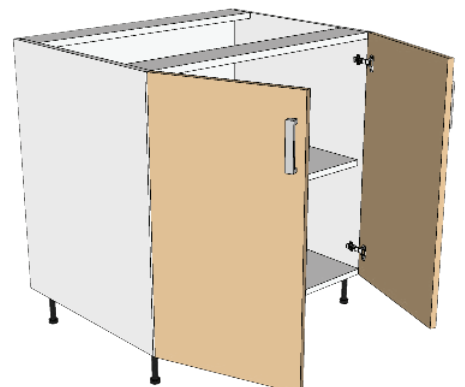
H = 830 MM
D = 578 MM
W = 600 MM

BASIT

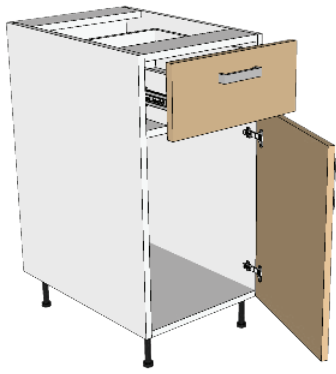
DOOR SERIES



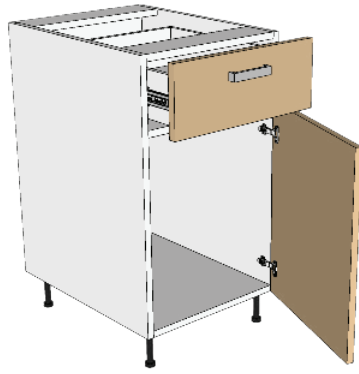
H = 830 MM
D = 578 MM
W = 700 MM



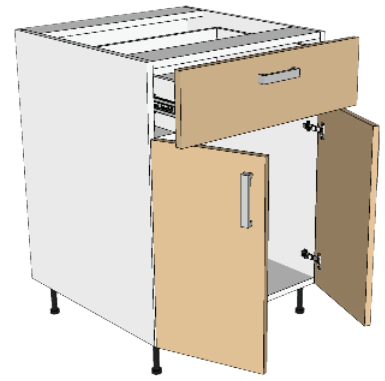
H = 830 MM
D = 578 MM
W = 800 MM



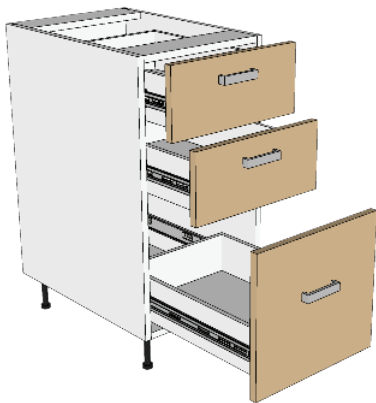
H = 830 MM
D = 578 MM
W = 400 MM



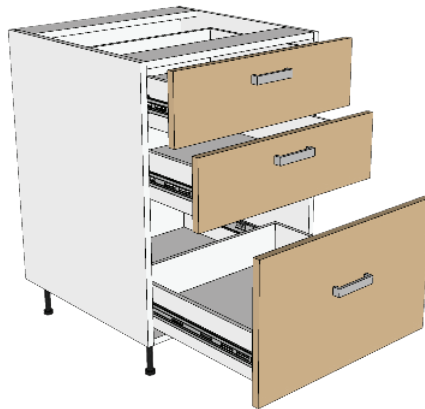
H = 830 MM
D = 578 MM
W = 500 MM



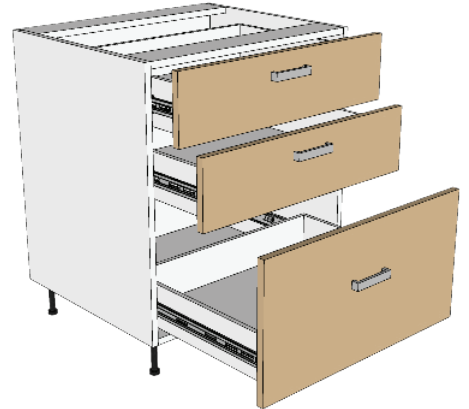
H = 830 MM
D = 578 MM
W = 600 MM



H = 830 MM
D = 578 MM
W = 400 MM

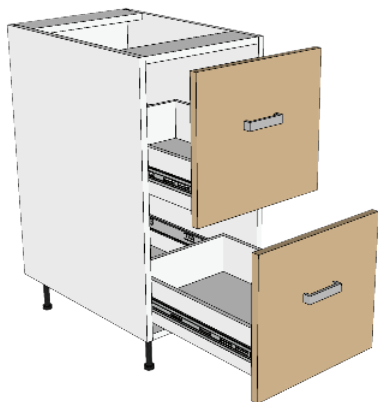


H = 830 MM
D = 578 MM
W = 500 MM

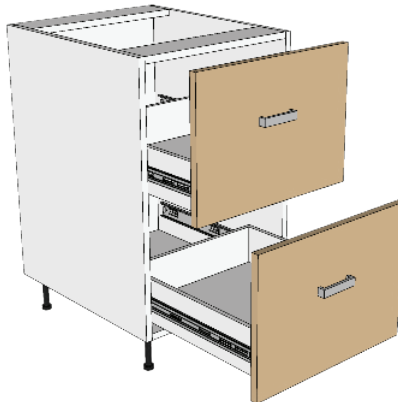


H = 830 MM
D = 578 MM
W = 600 MM

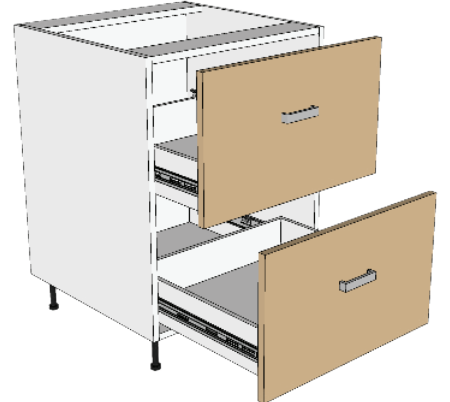
DOOR / DRAWER SERIES



H = 830 MM
D = 578 MM
W = 400 MM

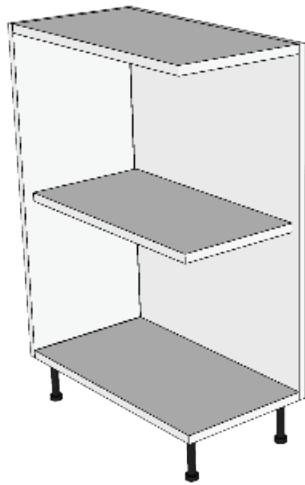


H = 830 MM
D = 578 MM
W = 500 MM

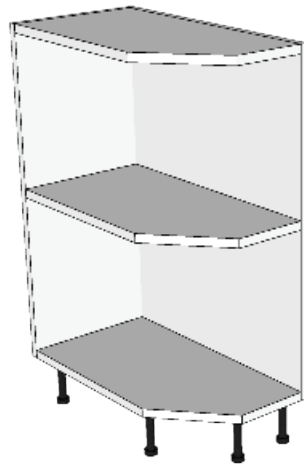


H = 830 MM
D = 578 MM
W = 600 MM

END CORNER SERIES

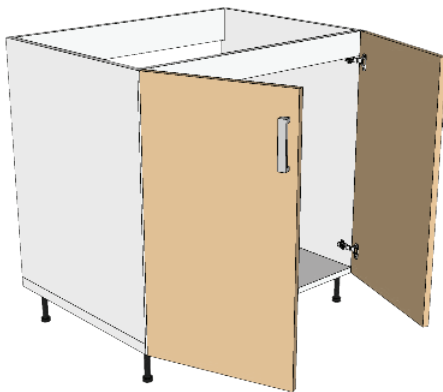


H = 830 MM
D = 578 MM
W = 300 MM

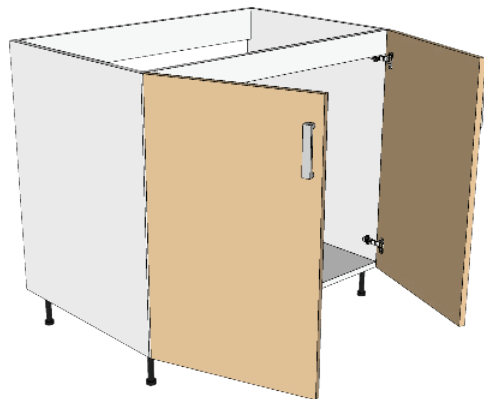


H = 830 MM
D = 578 MM
W = 300 MM

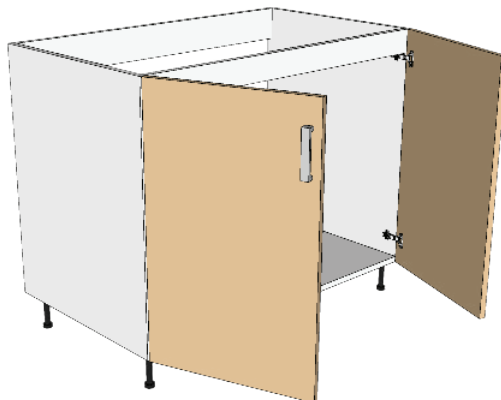
SINK BASE SERIES



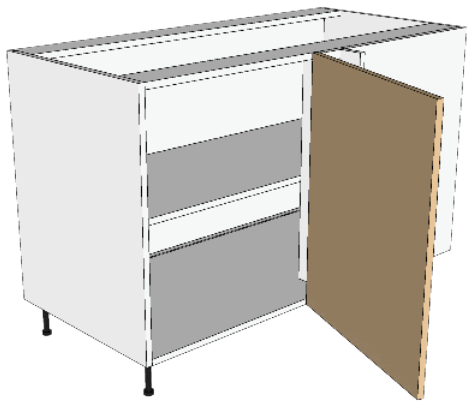
H = 830 MM
D = 578 MM
W = 800 MM



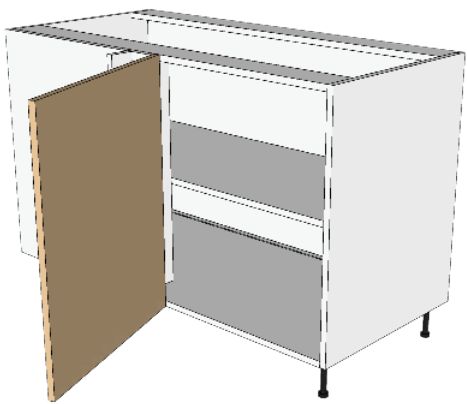
H = 830 MM
D = 578 MM
W = 900 MM



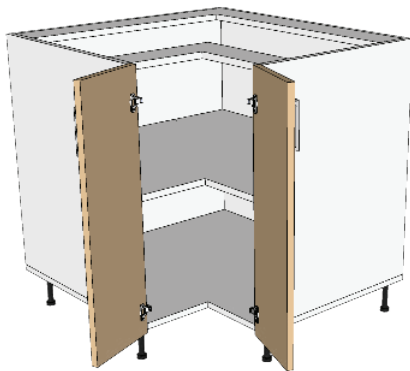
H = 830 MM
D = 578 MM
W = 1000 MM



H = 830 MM
D = 578 MM
W = 1000 MM (LEFT)



H = 830 MM
D = 578 MM
W = 1000 MM (RIGHT)



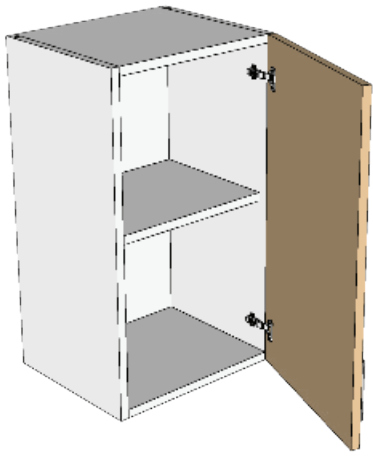
H = 830 MM
D = 578 MM
W = 1000 MM x 1000MM

CORNER BASE UNIT

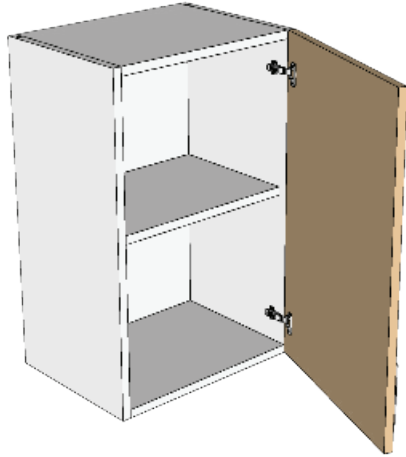
CORNER SERIES



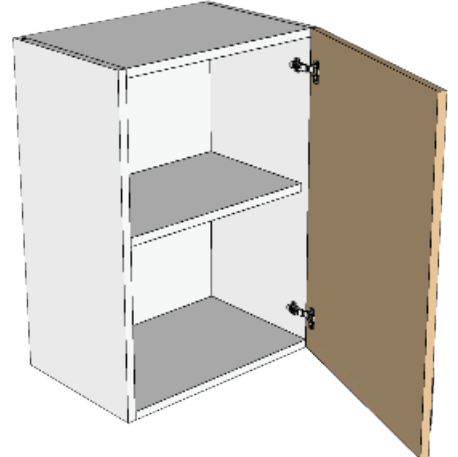
H = 830 MM
D = 578 MM
W = 1000 MM x 1000MM



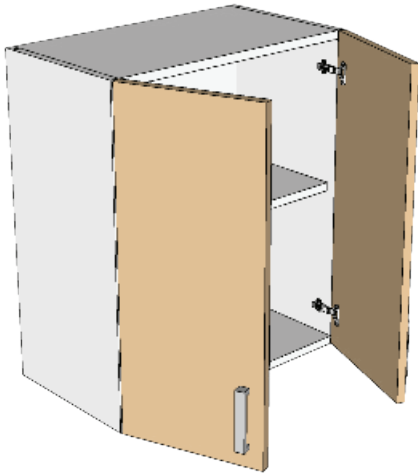
H = 700 MM
D = 400 MM
W = 400 MM



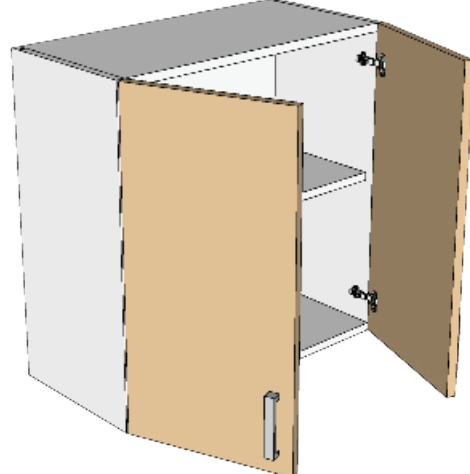
H = 700 MM
D = 400 MM
W = 450 MM



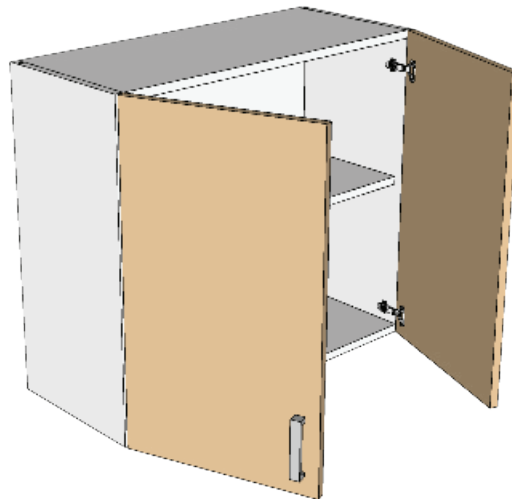
H = 700 MM
D = 400 MM
W = 500 MM



H = 700 MM
D = 400 MM
W = 600 MM



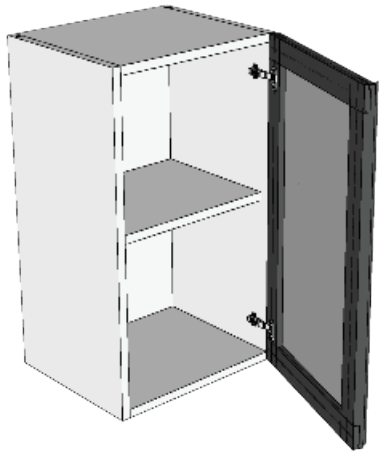
H = 700 MM
D = 400 MM
W = 700 MM



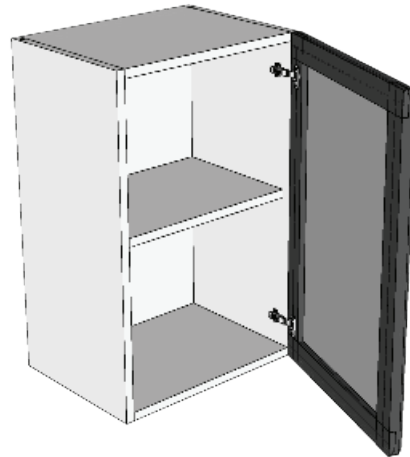
H = 700 MM
D = 400 MM
W = 800 MM

WALL UNIT

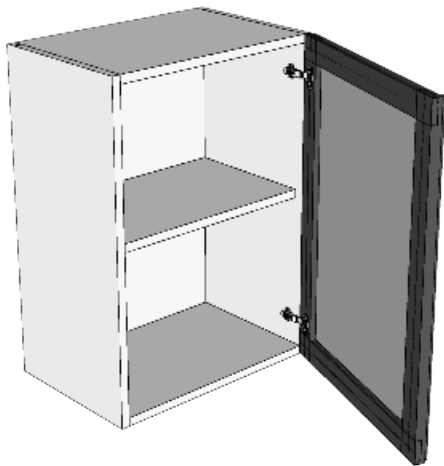
DOOR SERIES



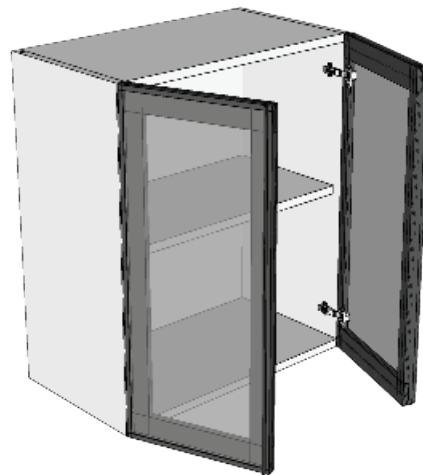
H = 700 MM
D = 400 MM
W = 400 MM



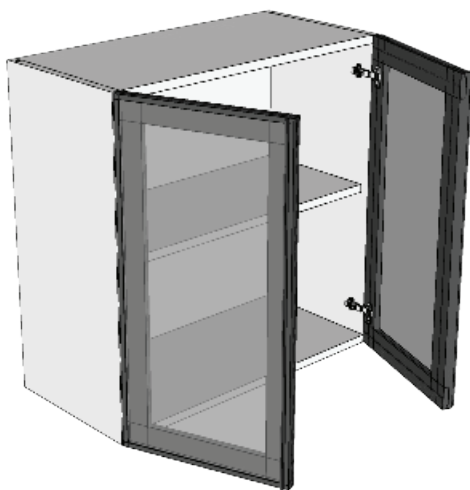
H = 700 MM
D = 400 MM
W = 450 MM



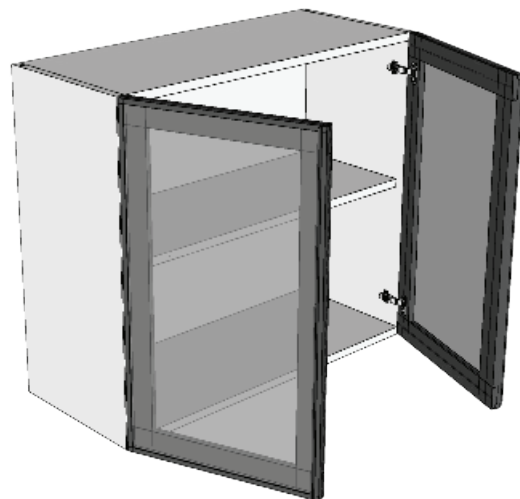
H = 700 MM
D = 400 MM
W = 500 MM



H = 700 MM
D = 400 MM
W = 600 MM

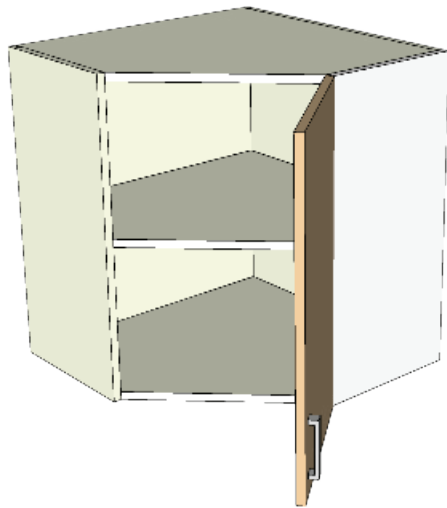


H = 700 MM
D = 400 MM
W = 700 MM

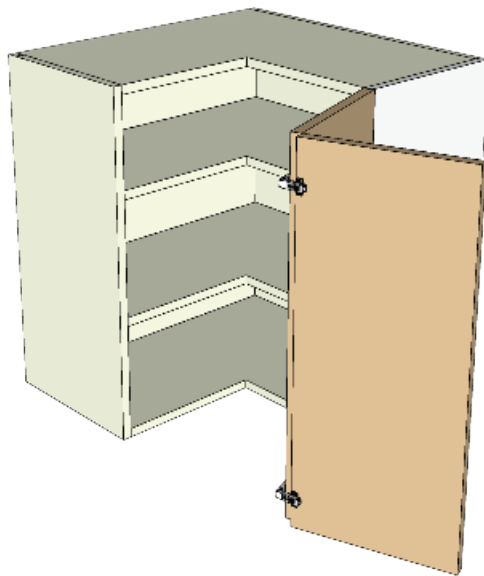


H = 700 MM
D = 400 MM
W = 800 MM

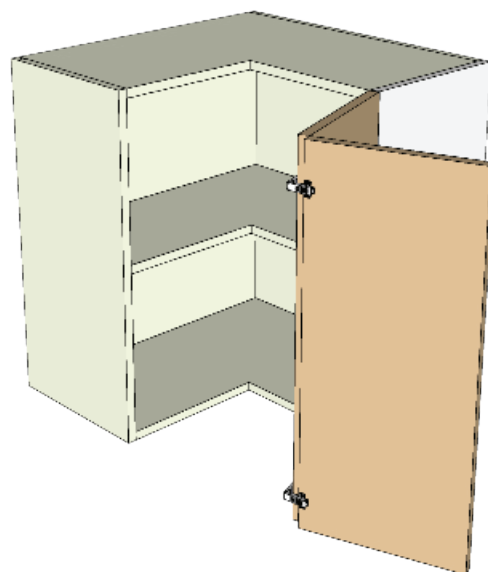
G L A S S S E R I E S



H = 700 MM
D = 578 MM
W = 1000 MM x 1000MM



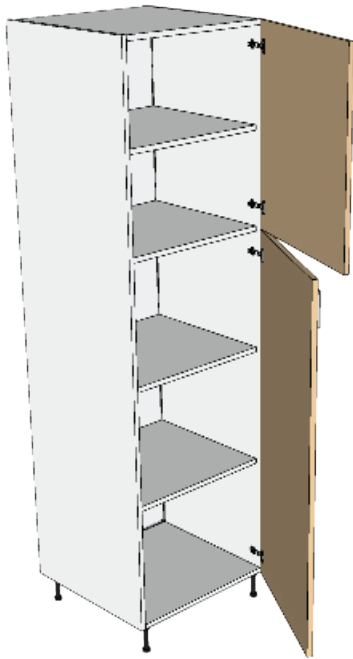
H = 700 MM
D = 400 MM
W = 1000 MM x 1000MM



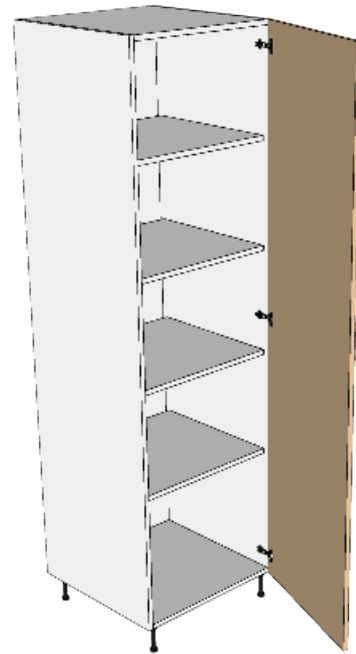
H = 700 MM
D = 400 MM
W = 1000 MM x 1000MM

CORNER WALL UNIT

CORNER SERIES



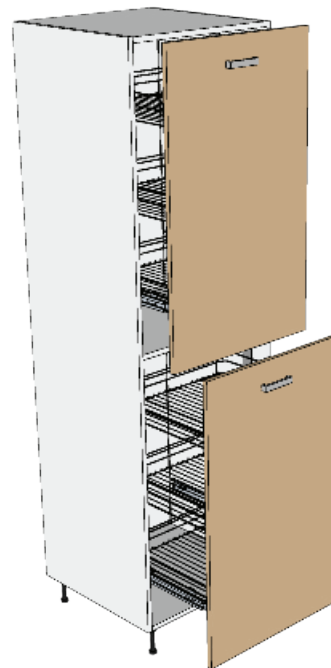
H = 2150 MM
D = 600 MM
W = 600 MM



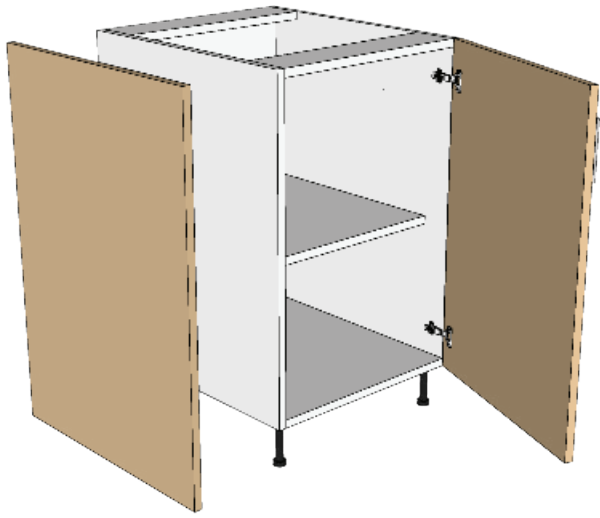
H = 2150 MM
D = 600 MM
W = 600 MM

TALL UNIT

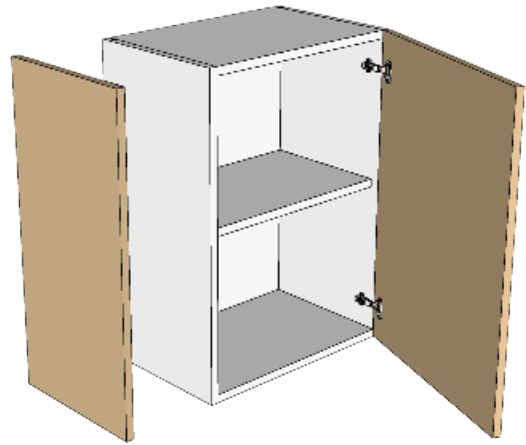
DRAWER / DOOR SERIES



H = 2150 MM
D = 600 MM
W = 600 MM

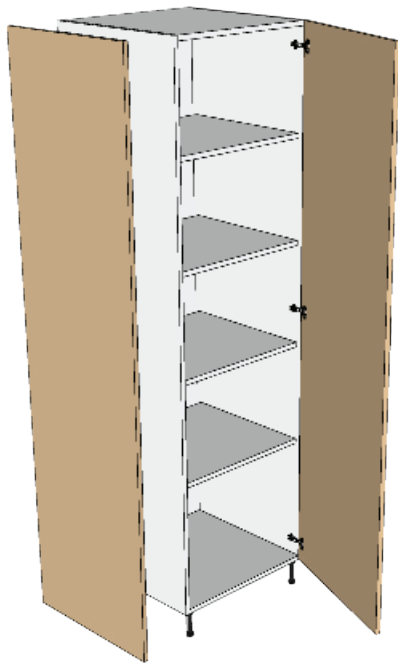


BASE UNIT



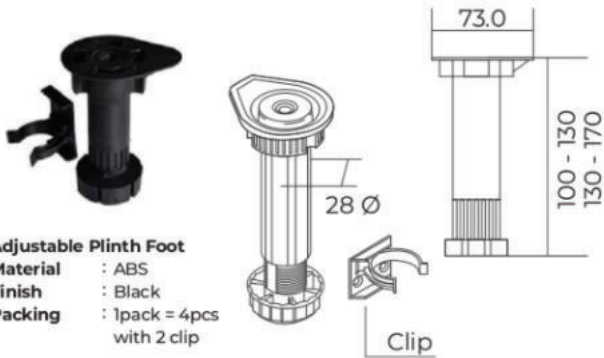
WALL UNIT

END FLASHING PANEL



TALL UNIT

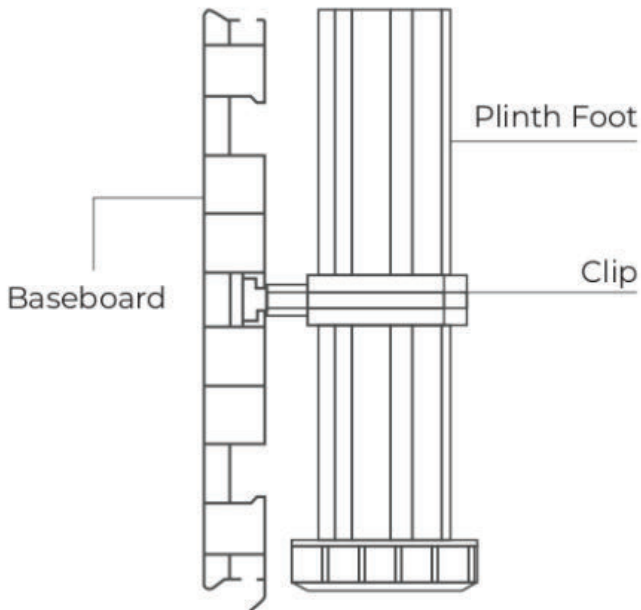
PLINTH FOOT



Adjustable Plinth Foot
Material : ABS
Finish : Black
Packing : 1 pack = 4 pcs with 2 clip

FER.APF130A.2C	Black	100-130mm H
FER.APF170A.2C	Black	130-170mm H
FER.APF130C	Spare Clip	sold per piece

SECTION DETAIL



BASEBOARD/KICKPLATE




PVC Baseboard Corner Connector
Material : PVC
Height : 100/150mm
Finish : Silver

FER.PB100	100mm H
FER.PB150	150mm H



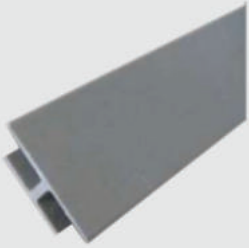
Aluminum Baseboard
Material : Aluminum
Length : 3000mm
Height : 100mm
Finish : Silver (Corrugated)

FER.ALB100.3M	3m L	100mm H
----------------------	------	---------



PVC Baseboard
Material : PVC
Length : 4000mm
Height : 100/150mm
Finish : Hairline Aluminum

FER.PB100.4	4m L	100mm H
FER.PB150.4	4m L	150mm H



PVC Baseboard H-Type Connector
Material : PVC
Height : 100/150mm
Finish : Silver

FER.PB100B	100mm H
FER.PB150B	150mm H



Beaumont Oak

Pickford

Elmo

Vinterbergh



Xander Fab

Lavant

Italian Textile Cream

Xaviera

SUPERMATTE SERIES

Supermatte Collection - a super opaque melamine finish - is an innovative interior design product that combines an elegant aesthetic feel with versatile functionality. With low light reflectivity, its surface is highly opaque and features a pleasantly soft touch.

GERMAN SERIES

Our German Collection offers you a wide range of melamine-laminated designs in selected decors in different colors and surface effects. Trend-oriented, diverse, and timeless at the same time. The German Collection can be laminated in matte, stipple, or crosscut finish.



Walk the Line

Roma Pearwood

Wallis Plum

Bologna Walnut



Acacia

Firenze Teak

Bamboo

Marino Walnut



Segatto Cream

Ivory

Padova Oak

White Ash

ITALIAN SERIES

Our Italian Collection offers you a wide range of economic melamine laminated design trends that stand the test of time. It expresses simplicity, functionality, versatility, and balance with their environment. The Italian Collection can be laminated in matte, stipple, or crosscut finish.



Safari

Rogue Teak

Swiss Pear

Carribean Teak

MELAMINE BOARDS

- Medium-Density Fiberboards (MDF)
- MDF MR
- High-Density Fiberboards (HDF)
- Particle Board
- Particle Board MR
- Plywood



EDGE-BANDING TAPES

- Sizes Available:
- 0.3mm x 22mm
 - 0.5mm x 22mm
 - 1.0mm x 22mm
 - 2.0mm x 22mm
 - 2.0mm x 29mm
 - 2.0mm x 34mm
 - 2.0mm x 54mm

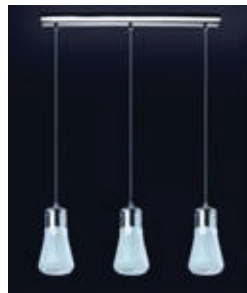


High quality range of Melamine Boards manufactured from Marine Plywood, HDF, MDF, MDF-MR, PB, PB-MR to suit applications for all types of Modular Cabinetry.

Edge Banding Tapes with multiple Solid Color & Wood Grain options to compliment Melamine Boards in various thicknesses ranging from 0.3mm, 0.5mm, 1.0mm and 2.0mm

DECORATIVE lighting

by: CHAN C. BROS.



PENDANT LAMPS • CEILING LAMPS • WALL LAMPS • TABLE LAMPS • FLOOR LAMPS • LED BULBS

KITCHEN & BATHROOM FAUCETS



CABINET & DRAWER HANDLES



HARDWARE AND ACCESSORIES

Full range of Cabinetry Hardware and Accessories



Soft Close Hinges



Hydraulic Lift-Up Mechanism



Soft Close Drawer Slides



OFFICE & SHOWROOM

1 Baguio Diamond Mansions
Legarda Road
Baguio City

TELEPHONE

0956-022-9045
074-424-7937

WEBSITE

www.legardaartspace.weebly.com

EMAIL

legardaartspace@gmail.com

SOCIAL MEDIA

-  | Legarda Artspace Baguio
-  | 0956-022-9045
-  | 0956-022-9045

